



**Color Guard World Championships
Xavier University
Cintas Center Site Info
1624 Herald Avenue
Cincinnati, OH 45207**

- The facility is situated on two levels. The color guards enter on the lower level, west entrance. Body will be on the upper level; equipment warm up is on the lower level. Spectators will enter and operate on the upper level.
- School is in session at Xavier University and the Cintas Center is located in the heart of campus. Parking is strictly monitored. Parking for Spectators is free, and spectators may only park in Lot C-2.
- Each color guard will be allotted 4 parking passes for the Bus & Truck Lot. Buses and equipment trucks may park in C-3 or C-4. There is no parking in the Lot C-1 next to the West Entrance. Props/floors must be unloaded at the loading dock. See maps for details and traffic flow.
- Unloading/Loading – Groups may not unload until 90 minutes prior to their performance time and must reload immediately following their performance. Props/floors may be unloaded by Lots A-M by the loading dock only.
- Dressing facilities are limited. Please come in competitive attire.
- A black drape will adorn the back stands of the arena.
- The floor surface is concrete covered with a black tarp. The black strips will be placed approximately 9.5 feet apart from the front to the back of the performance floor. The last strip at the back will vary in width.
- The mixing board for the sound system and the sound person will be located in the front stands. The WGI sound person will have control of the level of sound. See contest info packet for sound check times.
- The competition area is 106' x 70'. Please see the floor plan for more details.
- There will be electrical power available at the front and back sidelines.
- Height of the facility is more than adequate.
- There are separate areas for body and equipment. Music may be used in both body and equipment warm up at moderate levels.
- There are no indoor floor folding facilities available.
- Traffic can be very congested in and around Cincinnati. Xavier University is located northeast of downtown Cincinnati. There is currently construction in the area, please plan for extra time.
- **Cintas tickets are now cashless.**
- **Spectators are subject to a clear bag policy.**

3/25/2024

WGI Color Guard World Championships Cintas Center



No Parking - Lot R-2

No Parking Lot R-1

No Parking Lot C-1

No Floors/Props
Central Utility Plant

Director Check In
at West Entrance

Bus Path

Truck/Bus Unload/Load Only

Bus/Truck Parking C-4 Lot

Bus/Truck Parking C-3 Lot

Spectator Parking C-2 Lot

Spectator Entrance

Auxiliary Gym

Cintas Center

Currito

United States Postal Service

Flynn Hall

Recreation Center

Cincinnati Convertors, Inc

University Station Apartments

Alloy Developm

Gibson Design

Manor House Apartments

Bruggeman Center

Buenger Hall

Jesuit Residence

Brockman Hall

ersey Mike's Subs
Order Delivery

Xavier University

ily Physics
ng Building

Xavier University
All For One Shop...

Lindner Family
Physics Bldg

Bellarmino Chapel

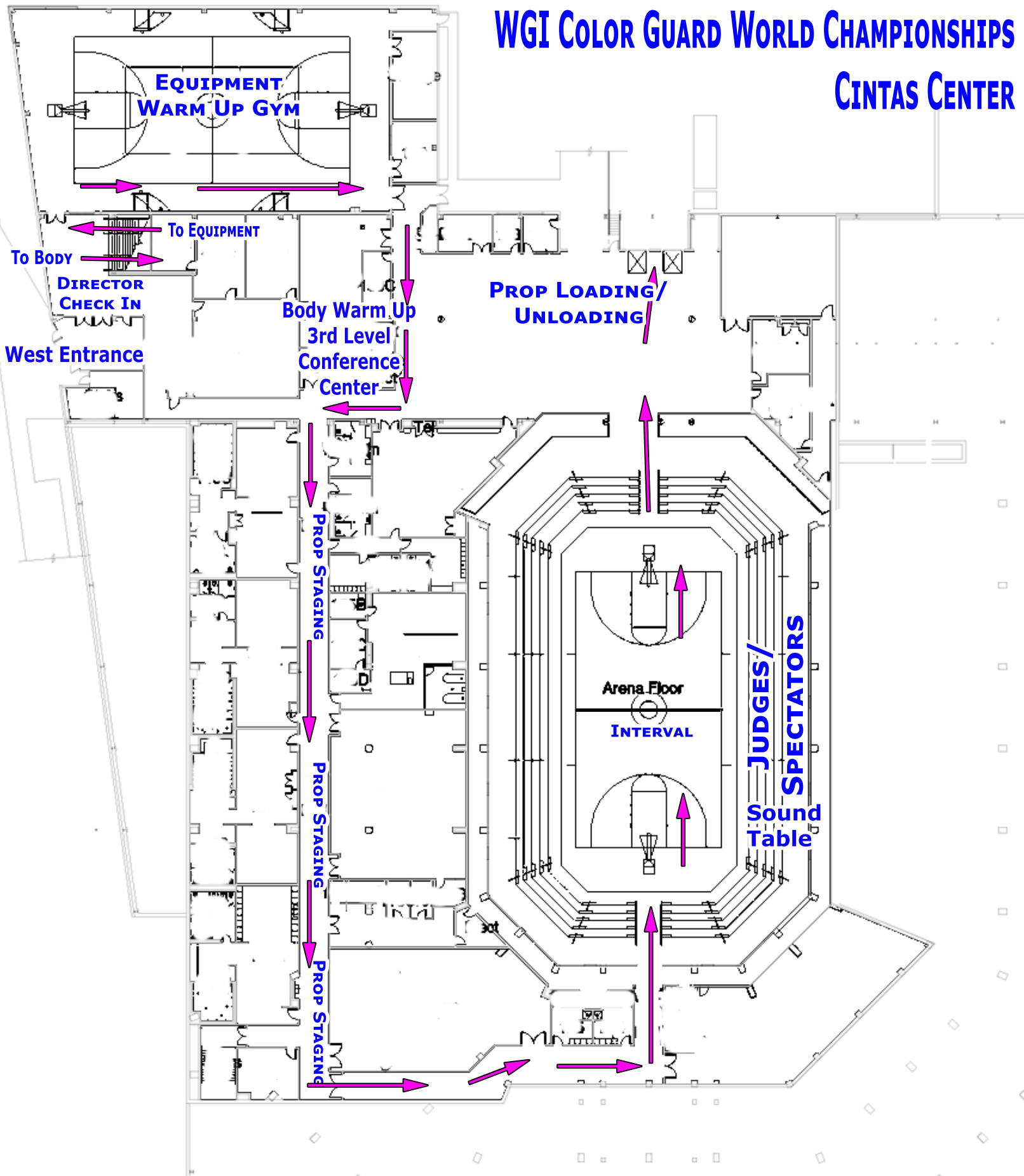
Murteer Dr

Xavier University

Cleneay Ave

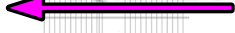
Alloy Developm

WGI COLOR GUARD WORLD CHAMPIONSHIPS CINTAS CENTER



**ENTER THROUGH
WEST ENTRANCE
FIRST FLOOR**

To EQUIPMENT



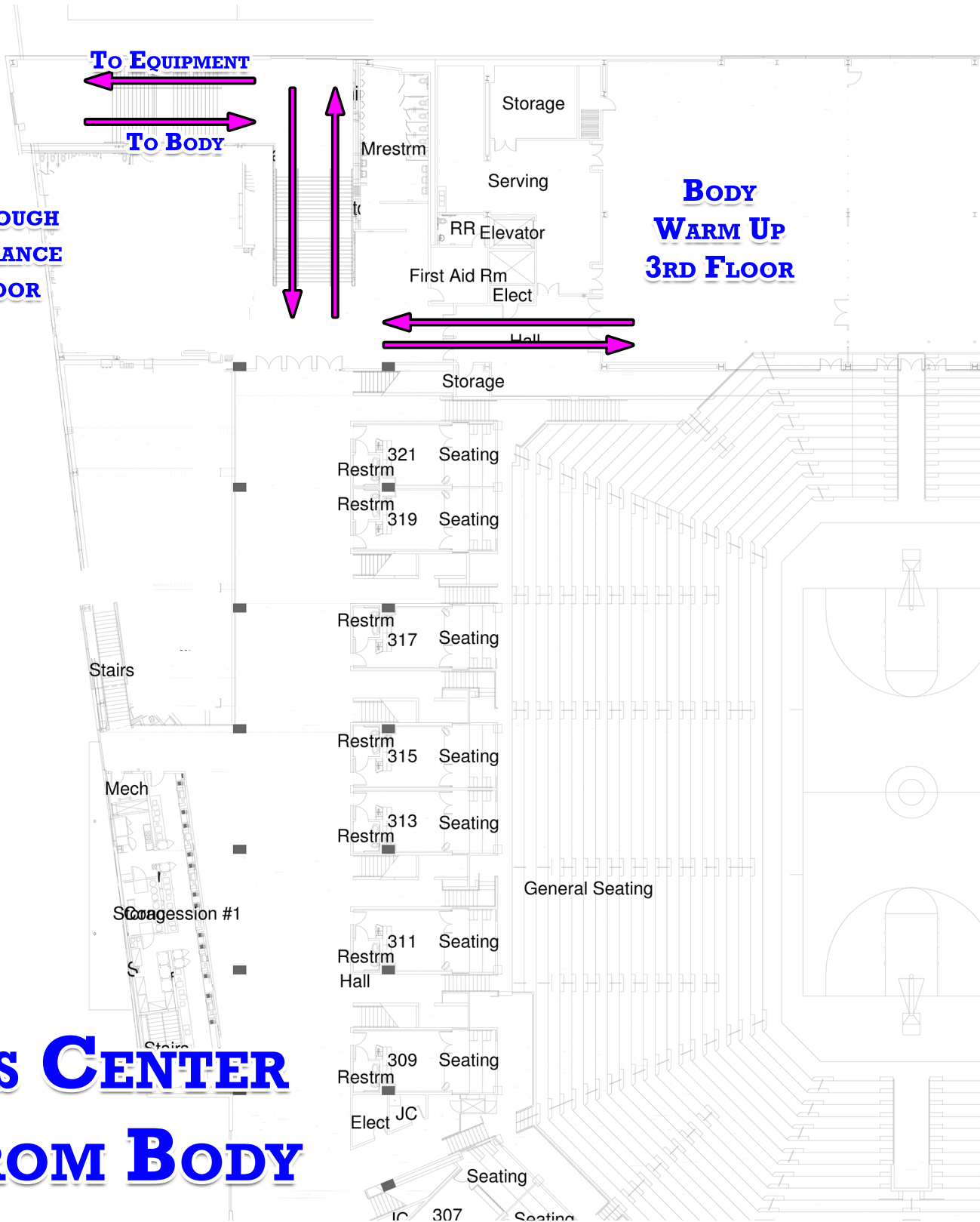
To BODY



**BODY
WARM UP
3RD FLOOR**

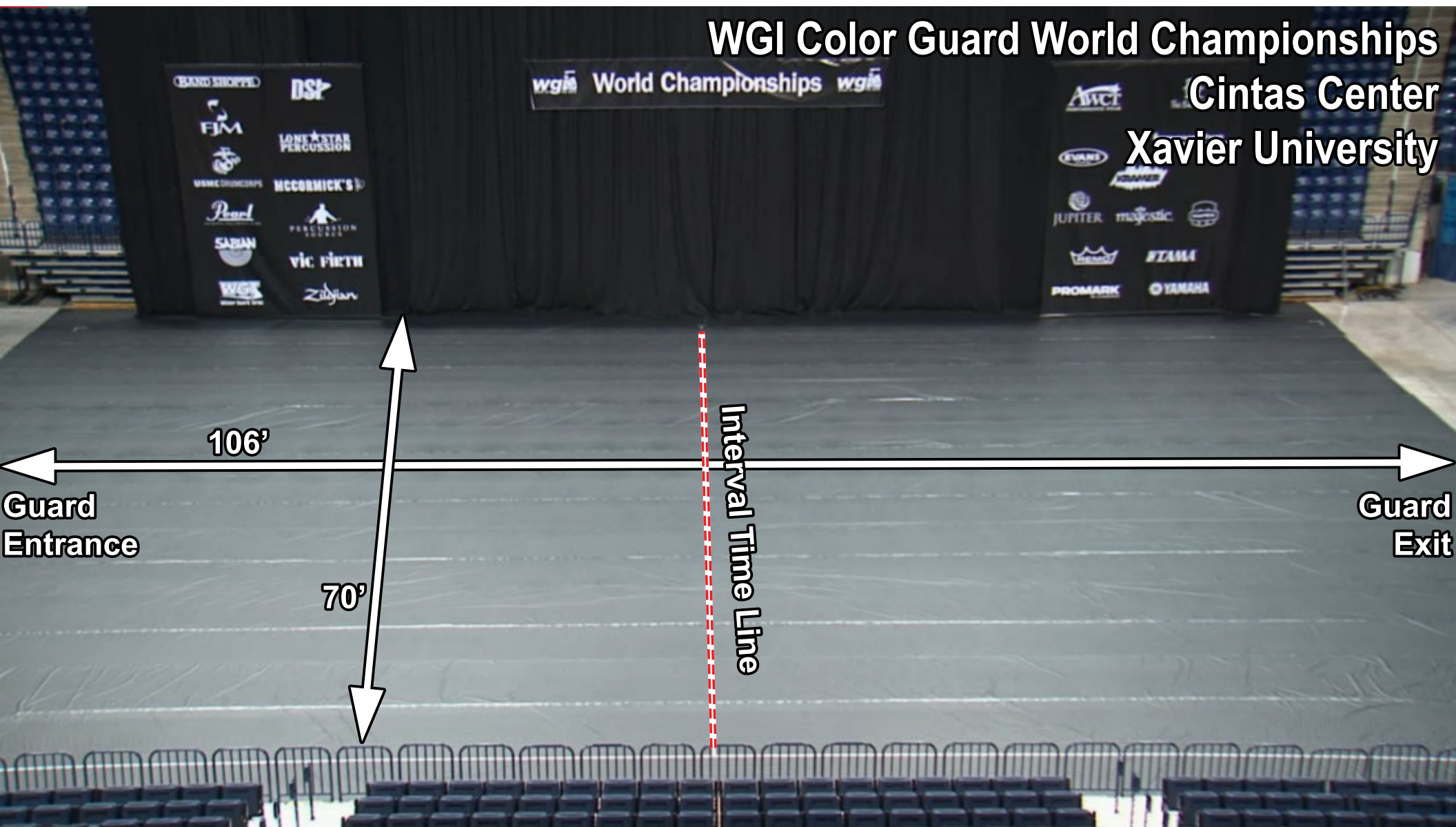


CINTAS CENTER To/FROM BODY



WGI Color Guard World Championships

Cintas Center Xavier University



106'

Guard
Entrance

Guard
Exit

Interval
Time
Line

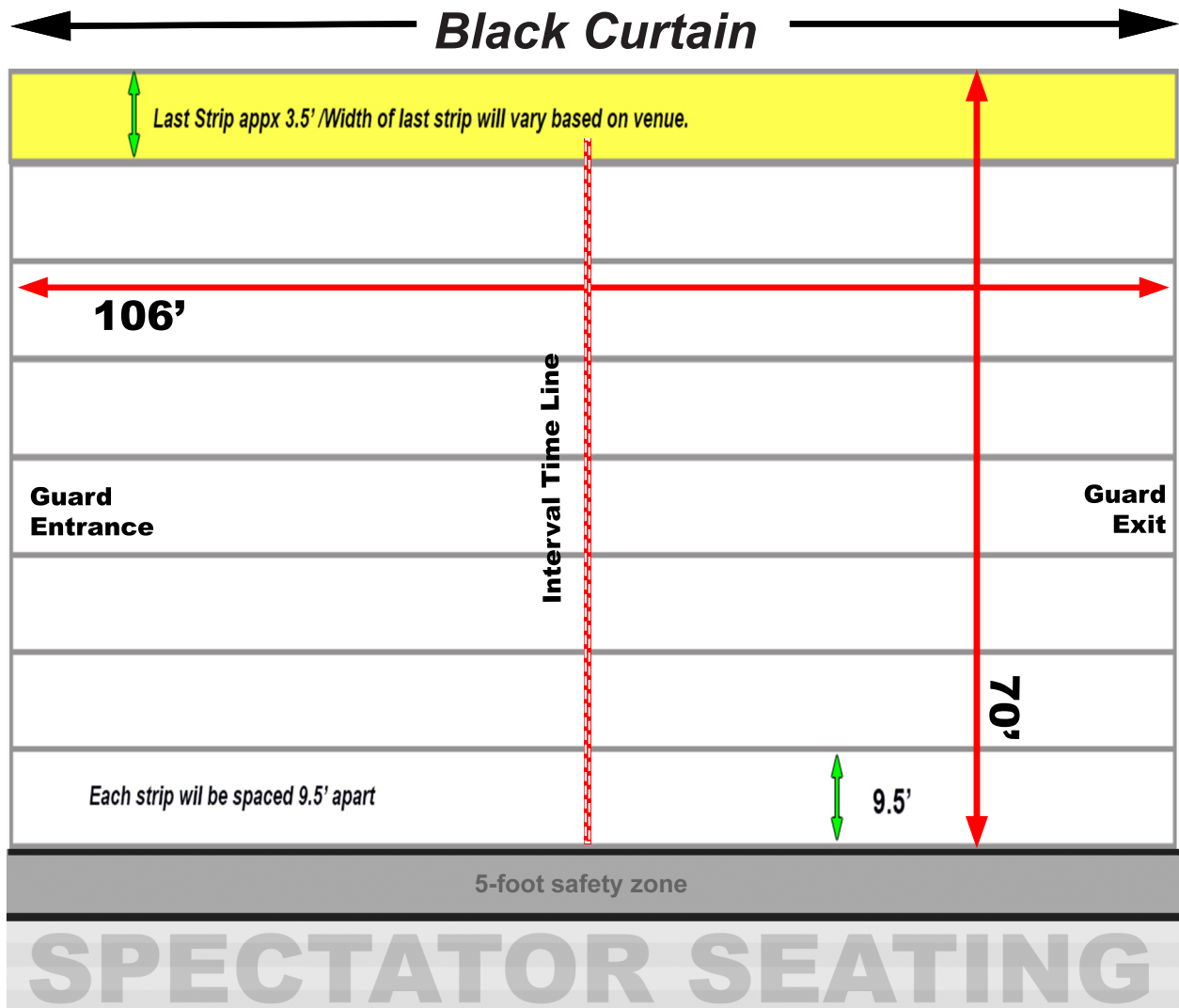
70'



Color Guard World Championships Competition Area Cintas Center @ Xavier University, Cincinnati, OH

All WGI contest sites must have a minimum of seventy by one hundred feet (70' x 100') to accommodate a "safety zone" of five (5) feet from any spectator seating. If no spectators are seated on the left and right sides, then the safety zone will be eliminated on the left and right sides of the competition area and could extend to a maximum of 78' X 106'.

The "competition area" at this event measures 70' X 106'. All performing groups must be prepared to perform within that area. Floors (tarps) may not extend into the safety zones per rules found in the WGI Adjudication Manual and Rulebook



Cintas Center Bag Policy

In an effort to enhance public safety and the fan experience, Cintas Center utilizes walkthrough metal detectors and enforces the following purse and bag policy limiting the size and style of bags allowed.

Prohibited bags include, but are not limited to, the following:

- Purses, bags or containers larger than a small clutch bag (a clutch bag is 4.5" x 6.5" or 6.5" x 4.5", approximately the size of a hand with or without a strap).
- Camera bags
- Cinch bags
- Briefcases
- Computer bags
- Backpacks
- Coolers (including thermos)
- Fanny packs
- Luggage of any kind

Guests may bring in the following bags:

- Cintas Center approved clear plastic, vinyl or PVC that do not exceed 12" x 6" x 12" (see image below). Bags may be hand carried or have a shoulder strap.
- One gallon clear plastic freezer bag (Ziploc).

Exceptions will be made for bags containing medical supplies or items used for childcare. Guests who must bring these types of bags should to the following locations:

South Entrance: The double doors immediately adjacent to the Student Entrance

East Entrance: The double doors closest to the Ticket Office

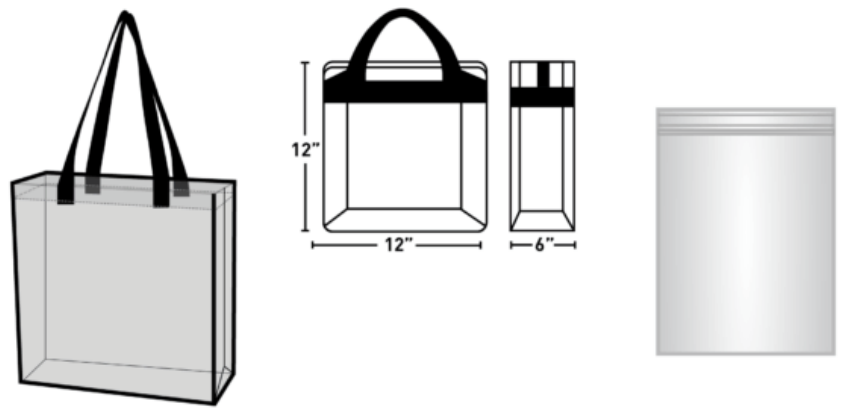
PROHIBITED BAGS



APPROVED BAGS

CLEAR TOTE
 PLASTIC, VINYL OR PVC
 DO NOT EXCEED 12" x 6" x 12."

PLASTIC STORAGE BAG
 1 GALLON
 RESEALABLE, CLEAR



SMALL CLUTCH BAG
 APPROXIMATELY THE SIZE OF A HAND WITH OR WITHOUT A HANDLE OR STRAP. NO LARGER THAN 4.5" X 6.5"

