

WGI World Championship Practice Venue Information

Queen City Sportsplex 10765 Reading Road Cincinnati, OH

- 📖 Groups may arrive **no more than 30 minutes prior** to their scheduled practice start time. If group is the first one in the building, the building will be open 10-15 minutes prior to your start time. Start times for this practice venue are no earlier than 6 am.
- 📖 Cars, large vehicles, buses, box trucks and semi trailers may all park in the parking lot adjacent to the venue. (see exterior site map)
- 📖 The group director must **SIGN IN** at the main entrance prior to unloading so that they can be directed where to go.
- 📖 Prior to the groups' scheduled practice start time, groups may use **interior space** to do the following:
 - Use the restroom
 - Load in their equipment to wait for their available practice space (see interior site map for where you may load in)
 - Stretch in the hallways as long as they are not blocking pathways or exits
- 📖 Prior to the groups' scheduled practice start time, groups may use **exterior space** of the building to do the following:
 - Unload
 - Stretch
 - Play Music
 - Spin Equipment
 - Eat a meal
- 📖 After the group's practice time has concluded, groups may use the facility restrooms and hallways to prepare for their performance. *(Please remember to clean up after yourselves.)*
- 📖 The basketball goals are stationary in this facility and cannot be moved.
- 📖 Food and drink may be brought into this facility for the performers. This facility may also have a concession stand available during your group's practice time. Please be courteous and clean up after your group.

Practice Facility Spec Sheet

Practice Facility: _____

Type of facility: Single Gym Fieldhouse Style [Gym/Soccer] Open Space Auditorium Soccer Field

How many groups will potentially be in this facility at the same time? _____

Is there any place for instructors to view the practice venue from above? YES NO

Entrance Door Dimensions: _____

~~Center Bar in entrance door: YES NO N/A Removable Center Bar: YES NO~~

Facility Dimensions - Width wall to wall: _____ Length wall to wall: _____

Approximate Ceiling Height: _____

Obstructions in the area: _____

Stairs to contend with in any part of the facility: _____

Exit Door Dimensions: _____

~~Center Bar in exit door: YES NO N/A Removable Center Bar: YES NO~~

Comments: _____

Queen City

Loading/unloading
Dock for semis

Loading/Unloading
Inside Area

Court 1

Court 2

Court 3

Bleachers
15 rows

Court 4

Court 5

Court 6

Sports Plus

Car/Van Parking

Please check in at
front office before unloading

Bus/Truck
Parking

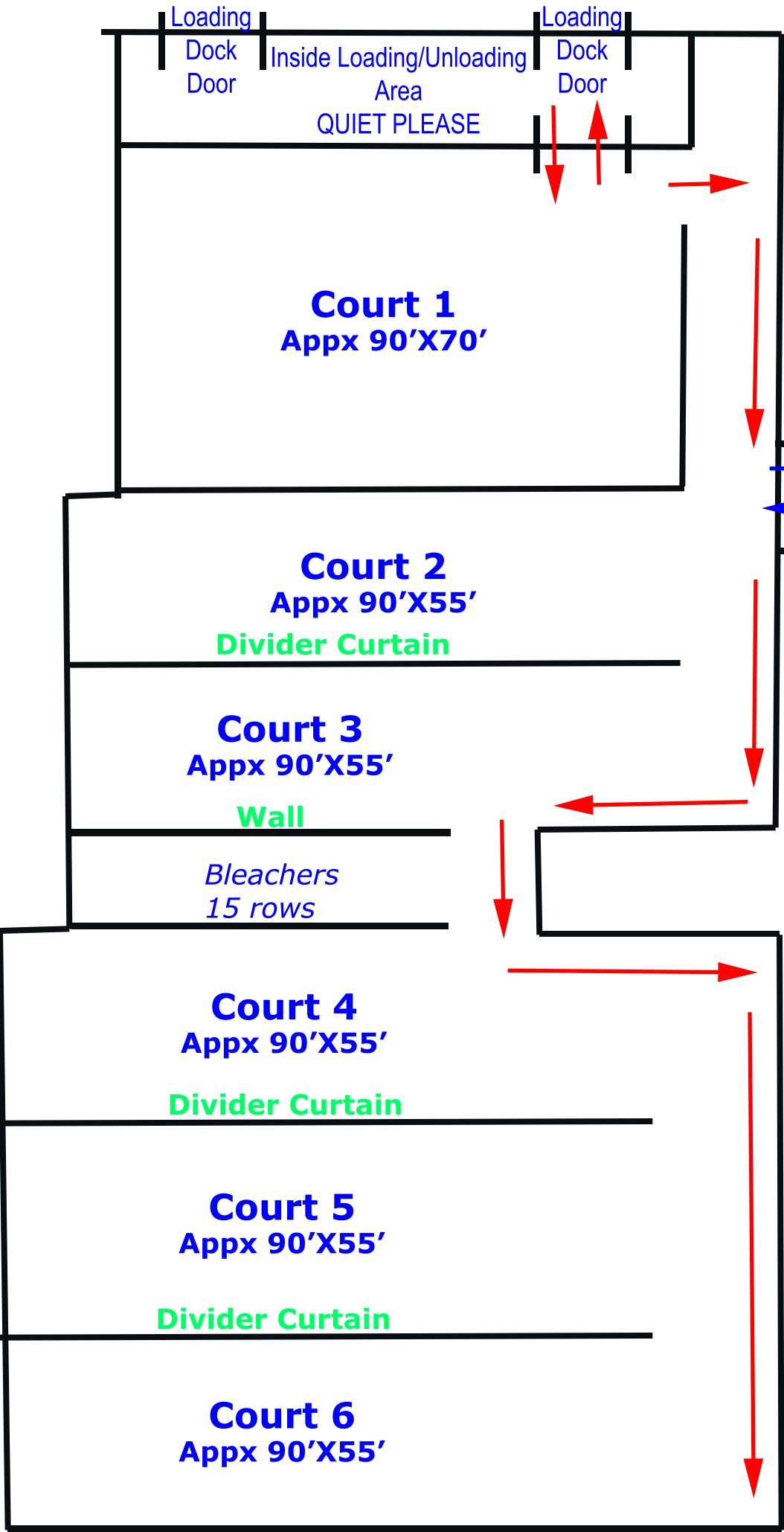
**Court sizes not to scale.

© 2015 Google

Google Earth

Imagery Date: 6/13/2014 39°15'46.60" N 84°25'06.88" W elev 577 ft eye alt 1553 ft

Queen City Sharonville, OH



****Map not to scale**

****Please stay to the outside of the courts**

****Please be courteous of those other groups in the facility**

****Please clean up after your group**

****Courts have immovable basketball goals**

Queen City Court 6



AMATEUR
ATHLETIC
UNION AAU

Queen City Court 6

AMATEUR ATHLETIC UNION AAU

Home
Guests
period
Time
player
Time

IT'S NOT WHETHER YOU WIN OR LOSE. IT'S WHERE YOU CELEBRATE THE GAME.
WILD WINGS

COURT 6

