

WGI World Championship Practice Venue Information

Queen City Sportsplex 10765 Reading Road Cincinnati, OH

- 📖 Groups may arrive **no more than 30 minutes prior** to their scheduled practice start time. If group is the first one in the building, the building will be open 10-15 minutes prior to your start time. Start times for this practice venue are no earlier than 6 am.
- 📖 Cars, large vehicles, buses, box trucks and semi trailers may all park in the parking lot adjacent to the venue. (see exterior site map)
- 📖 The group director must **SIGN IN** at the main entrance prior to unloading so that they can be directed where to go.
- 📖 Prior to the groups' scheduled practice start time, groups may use **interior space** to do the following:
 - Use the restroom
 - Load in their equipment to wait for their available practice space (see interior site map for where you may load in)
 - Stretch in the hallways as long as they are not blocking pathways or exits
- 📖 Prior to the groups' scheduled practice start time, groups may use **exterior space** of the building to do the following:
 - Unload
 - Stretch
 - Play Music
 - Spin Equipment
 - Eat a meal
- 📖 After the group's practice time has concluded, groups may use the facility restrooms and hallways to prepare for their performance. (*Please remember to clean up after yourselves.*)
- 📖 The basketball goals are stationary in this facility and cannot be moved.
- 📖 Food and drink may be brought into this facility for the performers. This facility may also have a concession stand available during your group's practice time. Please be courteous and clean up after your group.

Practice Facility Spec Sheet

Practice Facility: _____

Type of facility: Single Gym Fieldhouse Style [Gym/Soccer] Open Space Auditorium Soccer Field

How many groups will potentially be in this facility at the same time? _____

3-5 bleacher rows

Is there any place for instructors to view the practice venue from above? YES NO

Entrance Door Dimensions: _____

~~Center Bar in entrance door: YES NO N/A Removable Center Bar: YES NO~~

Facility Dimensions - Width wall to wall: _____ Length wall to wall: _____

Approximate Ceiling Height: _____

Obstructions in the area: _____

Stairs to contend with in any part of the facility: _____

Exit Door Dimensions: _____

~~Center Bar in exit door: YES NO N/A Removable Center Bar: YES NO~~

Comments: _____

Queen City

Loading/unloading
Dock for semis

Loading/Unloading
Inside Area

Court 1

Court 2

Court 3

Bleachers
15 rows

Court 4

Court 5

Court 6

Sports Plus

Car/Van Parking

Please check in at
front office before unloading

Bus/Truck
Parking

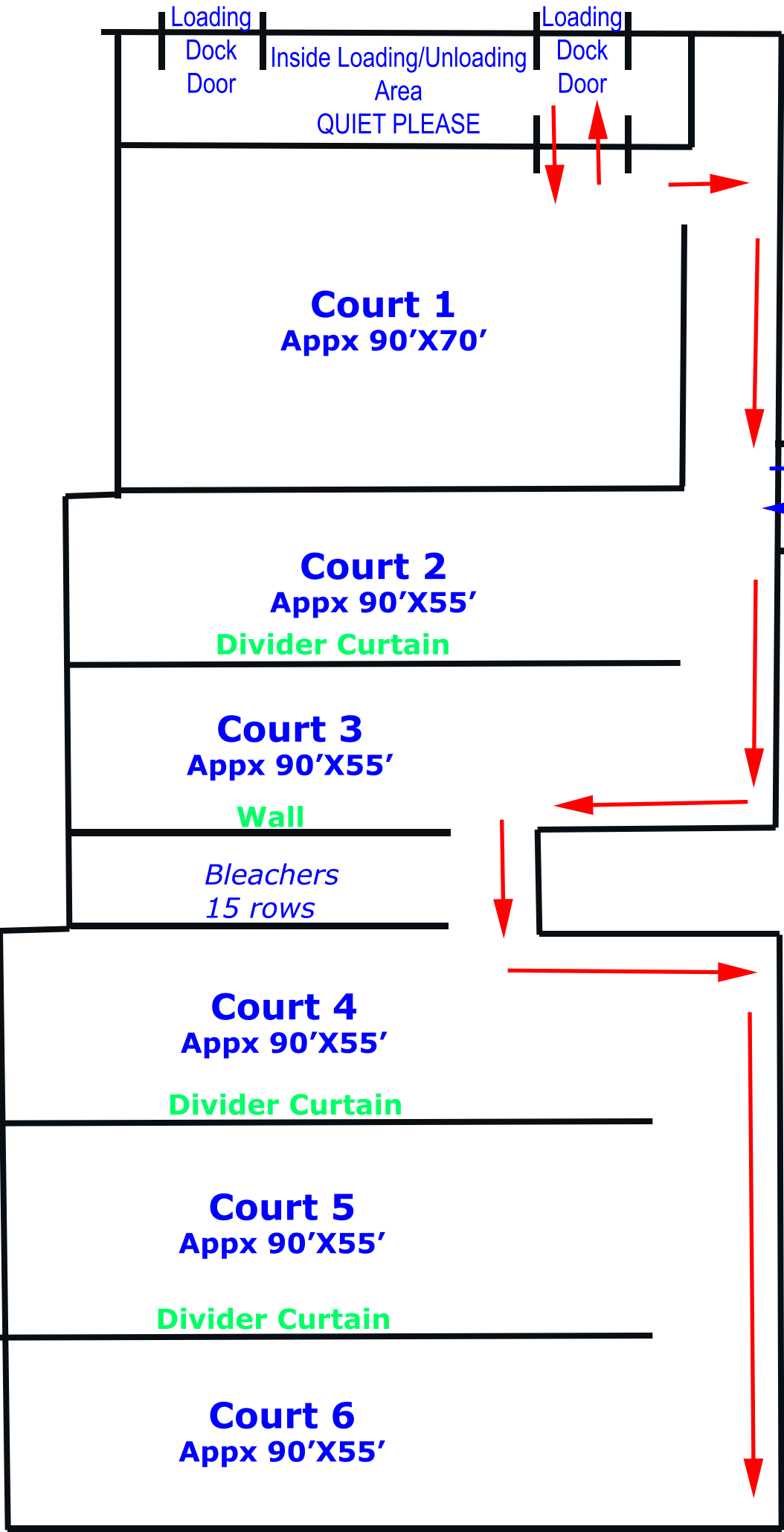
**Court sizes not to scale.

© 2015 Google

Google Earth

Imagery Date: 6/13/2014 39°15'46.60" N 84°25'06.88" W elev 577 ft eye alt 1553 ft

Queen City Sharonville, OH



****Map not to scale**

****Please stay to the outside of the courts**

****Please be courteous of those other groups in the facility**

****Please clean up after your group**

****Courts have immoveable basketball goals**



Queen City
Courts 1-3
Entry/Exit

HOME OF
ARSENAL

Court 3

Court 2

Entry/Exit
Court 1

To courts 4-6





Court 3

Court 2

Queen City Court 2 & 3

Queen City Court 2

| | |
|------|--------|
| Home | Guests |
| 1 | 2 |
| 3 | 4 |
| 5 | 6 |
| 7 | 8 |
| 9 | 10 |
| 11 | 12 |
| 13 | 14 |
| 15 | 16 |
| 17 | 18 |
| 19 | 20 |
| 21 | 22 |
| 23 | 24 |
| 25 | 26 |
| 27 | 28 |
| 29 | 30 |
| 31 | 32 |
| 33 | 34 |
| 35 | 36 |
| 37 | 38 |
| 39 | 40 |
| 41 | 42 |
| 43 | 44 |
| 45 | 46 |
| 47 | 48 |
| 49 | 50 |
| 51 | 52 |
| 53 | 54 |
| 55 | 56 |
| 57 | 58 |
| 59 | 60 |
| 61 | 62 |
| 63 | 64 |
| 65 | 66 |
| 67 | 68 |
| 69 | 70 |
| 71 | 72 |
| 73 | 74 |
| 75 | 76 |
| 77 | 78 |
| 79 | 80 |
| 81 | 82 |
| 83 | 84 |
| 85 | 86 |
| 87 | 88 |
| 89 | 90 |
| 91 | 92 |
| 93 | 94 |
| 95 | 96 |
| 97 | 98 |
| 99 | 100 |

Sports Plus

COURT 2

St. Michael

M MUSTANGS





**Queen City
Court 2**