

# WGI World Championship Practice Venue Information

## Sports Plus 10765 Reading Road Cincinnati, OH

- 📖 Groups may arrive **no more than 30 minutes prior** to their scheduled practice start time. If group is the first one in the building, the building will be open 10-15 minutes prior to your start time. Start times for this practice venue are no earlier than 7 am.
- 📖 Cars, large vehicles, buses, box trucks and semi trailers may all park in the parking lot adjacent to the venue. (see exterior site map)
- 📖 The group director must **SIGN IN** at the main entrance prior to unloading so that they can be directed where to go.
- 📖 Prior to the groups' scheduled practice start time, groups may use **interior space** to do the following:
  - Use the restroom
  - Load in their equipment to wait for their available practice space (see interior site map for where you may load in)
  - Stretch in the hallways as long as they are not blocking pathways or exits
- 📖 Prior to the groups' scheduled practice start time, groups may use **exterior space** of the building to do the following:
  - Unload
  - Stretch
  - Play Music
  - Spin Equipment
  - Eat a meal
- 📖 After the group's practice time has concluded, groups may use the facility restrooms and hallways to prepare for their performance. *(Please remember to clean up after yourselves.)*
- 📖 The basketball goals are stationary in this facility and cannot be moved.
- 📖 Food and drink may be brought into this facility for the performers. This facility may also have a concession stand available during your group's practice time. Please be courteous and clean up after your group.

# Practice Facility Spec Sheet

Practice Facility: \_\_\_\_\_

Type of facility: Single Gym Fieldhouse Style [Gym/Soccer] Open Space Auditorium Soccer Field

How many groups will potentially be in this facility at the same time? \_\_\_\_\_

Is there any place for instructors to view the practice venue from above? YES NO

Entrance Door Dimensions: \_\_\_\_\_

~~Center Bar in entrance door: YES NO N/A Removable Center Bar: YES NO~~

Facility Dimensions - Width wall to wall: \_\_\_\_\_ Length wall to wall: \_\_\_\_\_

Approximate Ceiling Height: \_\_\_\_\_

Obstructions in the area: \_\_\_\_\_

\_\_\_\_\_

Stairs to contend with in any part of the facility: \_\_\_\_\_

\_\_\_\_\_

Exit Door Dimensions: \_\_\_\_\_

~~Center Bar in exit door: YES NO N/A Removable Center Bar: YES NO~~

Comments: \_\_\_\_\_

\_\_\_\_\_

\_\_\_\_\_

\_\_\_\_\_

\_\_\_\_\_



# Sports Plus

Loading/unloading  
Dock for semis

Loading/Unloading  
Inside Area

Court 1

Court 2

Court 3

Bleachers  
15 rows

Court 4

Court 5

Court 6

Sports Plus

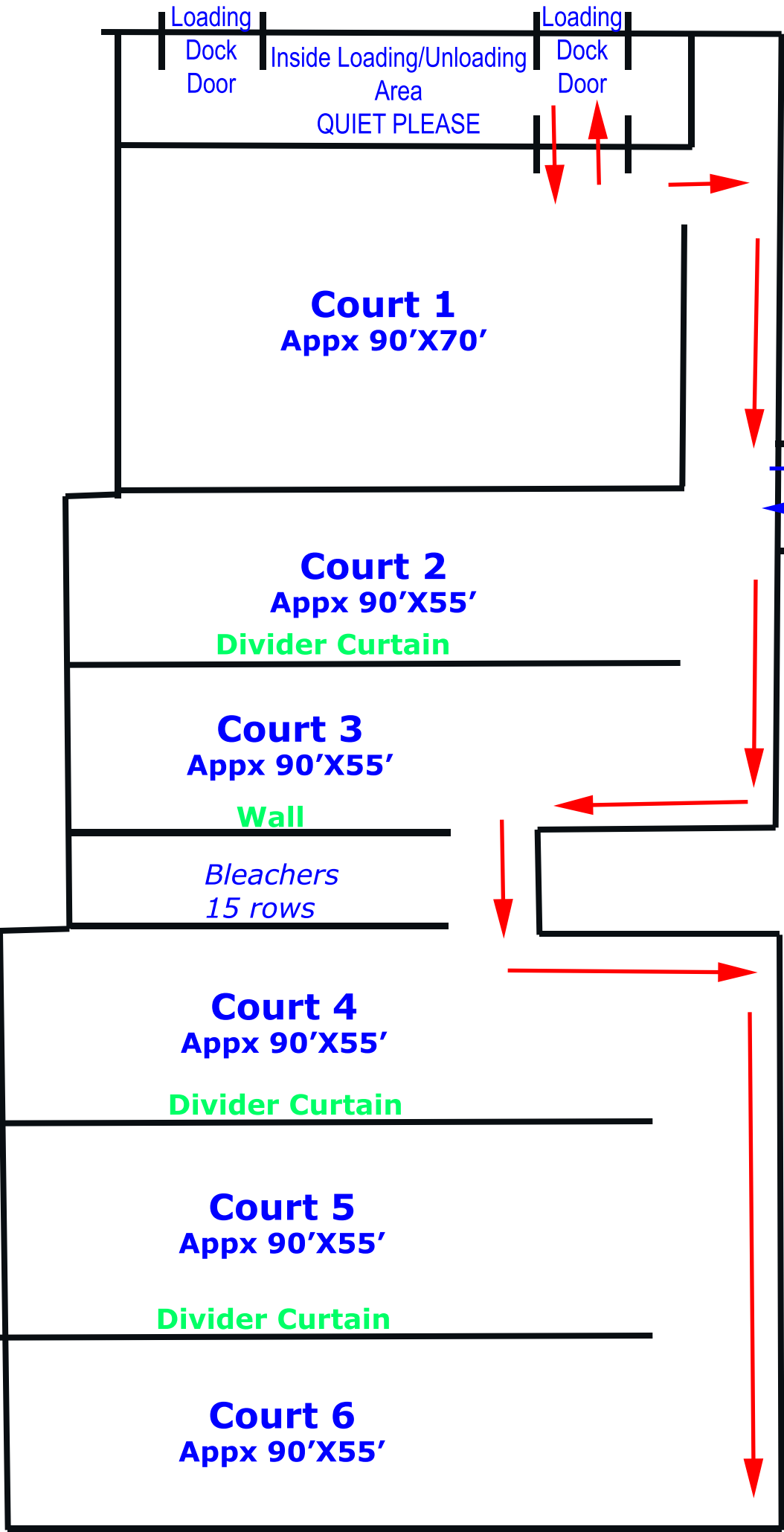
Car/Van Parking

Please check in at  
front office before unloading

Bus/Truck  
Parking

\*\*Court sizes not to scale.

# Sports Plus Sharonville, OH



**\*\*Map not to scale**

**\*\*Please stay to the outside of the courts**

**\*\*Please be courteous of those other groups in the facility**

**\*\*Please clean up after your group**

**\*\*Courts have immoveable basketball goals**





Sports Plus  
Courts 1-3  
Entry/Exit

HOME OF  
ARSENAL

Court 3

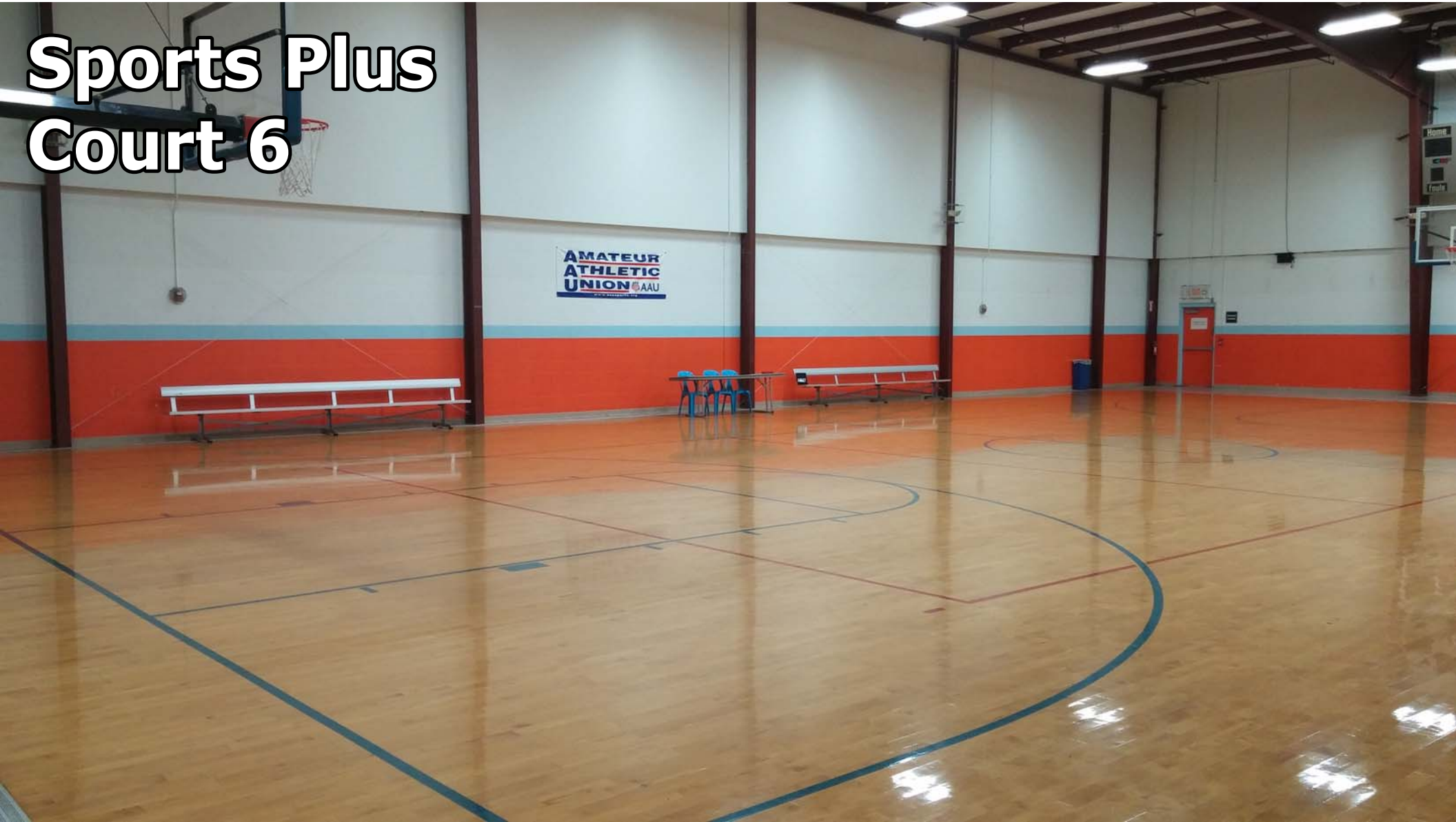
Court 2

Entry/Exit  
Court 1

To courts 4-6



# Sports Plus Court 6





# Sports Plus Court 6

AMATEUR  
ATHLETIC  
UNION AAU

IT'S NOT WHETHER  
YOU WIN OR LOSE.  
IT'S WHERE YOU  
CELEBRATE THE GAME.

COURT 6

